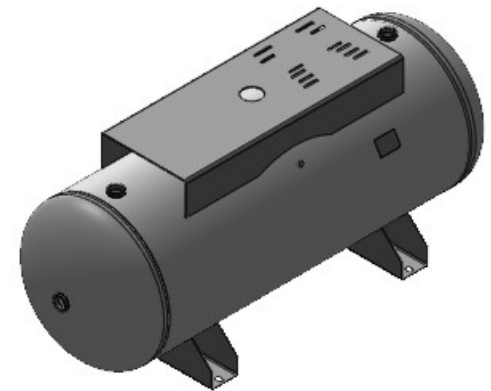
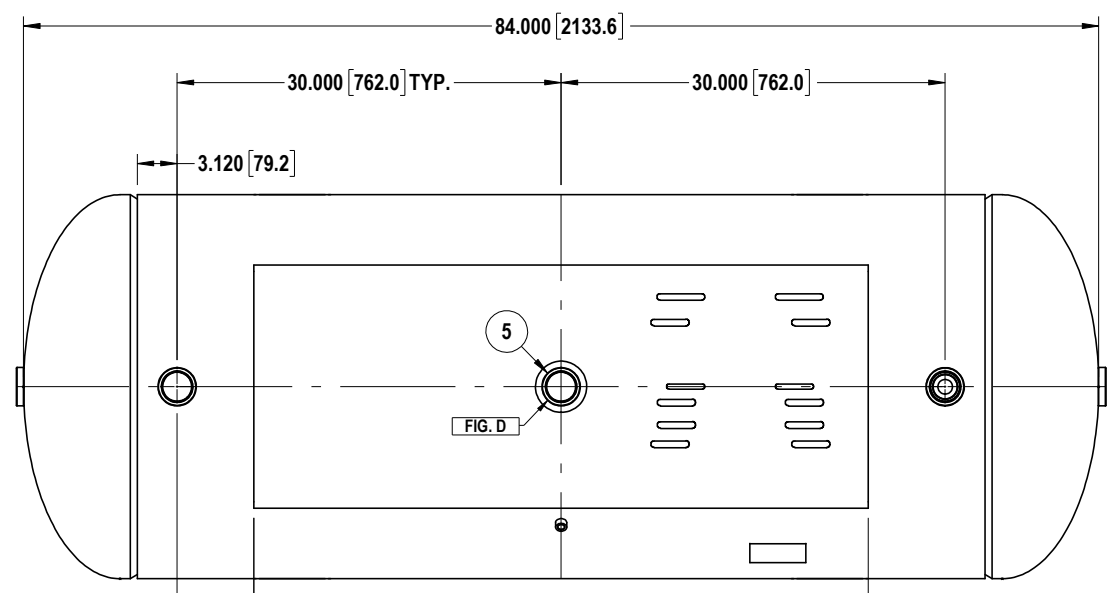
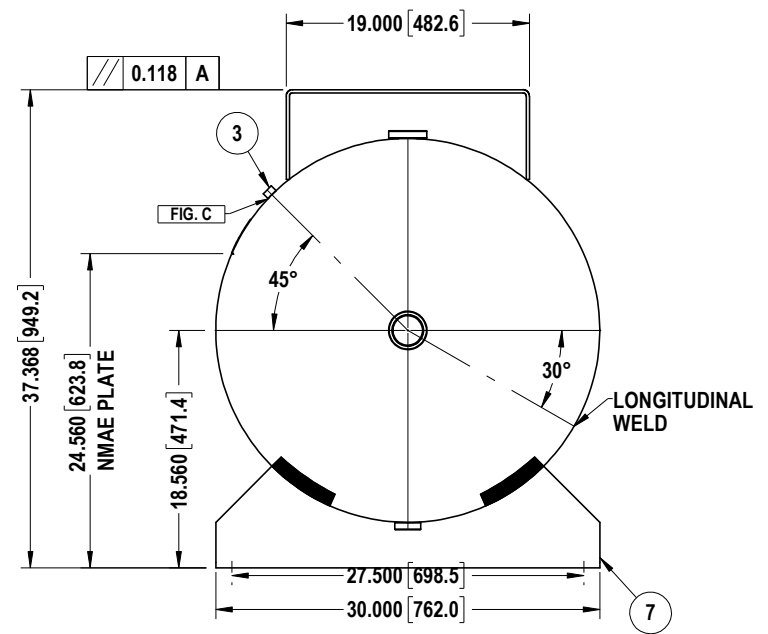
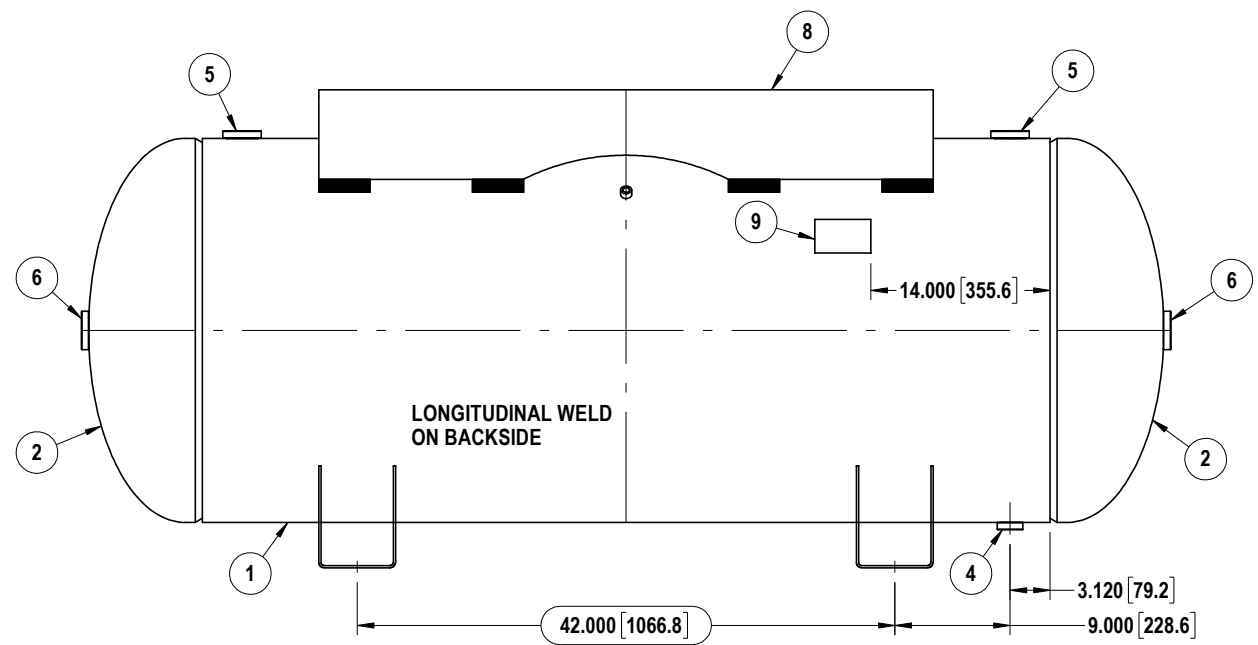


THIS DRAWING & SPECIFICATIONS ARE PROPERTY OF MORGANTON PRESSURE VESSELS AND MAY NOT BE COPIED, REPRODUCED, OR USED IN WHOLE OR PART, AS A BASIS FOR DESIGN MANUFACTURE OR SALE WITHOUT PRIOR PERMISSION FROM MORGANTON PRESSURE VESSELS.

DESIGN INFORMATION	
SPECIFICATION	VALUE
DIAMETER (O.D.)	30.000"
MAWP	300 PSI AT 650°F
MDMT	-20°F AT 300 PSI
CAPACITY	APPROX 240 GALLONS
APPROX. WEIGHT	780 LBS



ITEM#	DESCRIPTION	QTY.
9	NAME PLATE	1
8	TOP PLATE	1
7	LEG	2
6	2" NPT COUPLING	2
5	2" NPT COUPLING - PROFILED	3
4	1" NPT COUPLING	1
3	1/4" NPT COUPLING	1
2	HEAD	2
1	SHELL	1

MORGANTON
 -ASME-
 SECTION VIII DIV. 1
 240 GALLON
 HORIZONTAL AIR RECEIVER

TOLERANCES, IF NOT INDICATED, ACCORDING TO:
 C-G SE 03.03 / 3

DWG. NO.
VES0010449

NOT FOR PRODUCTION USE